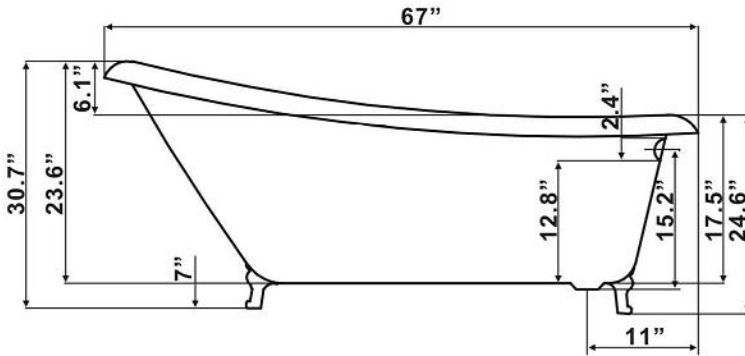


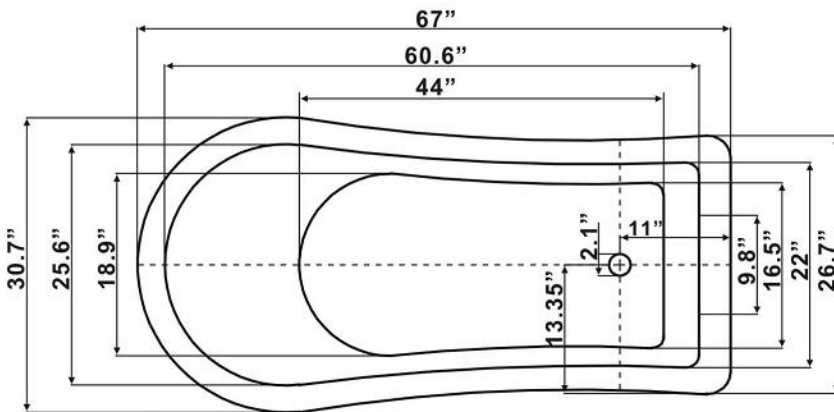
Flora

TUB & FAUCET

CSLC Single Slipper Claw Tub



Deck mount
faucet holes
available upon
specification



Meets or Exceeds ANSI 2124.1.2-2005: CSA B45.0-02 & CSA B45.5-02

Weight	144 lbs
Gallons to Overflow	58
Weight Full to Overflow	618
Min. Wall Thickness	3/4"
Reinforced Floor	YES
Aluminum Heat Barrier (with narrow air gap)	YES
Slip Resistant Floor	YES
High Gloss Finish Interior & Exterior	YES
Available with Bubble Jetting	YES

