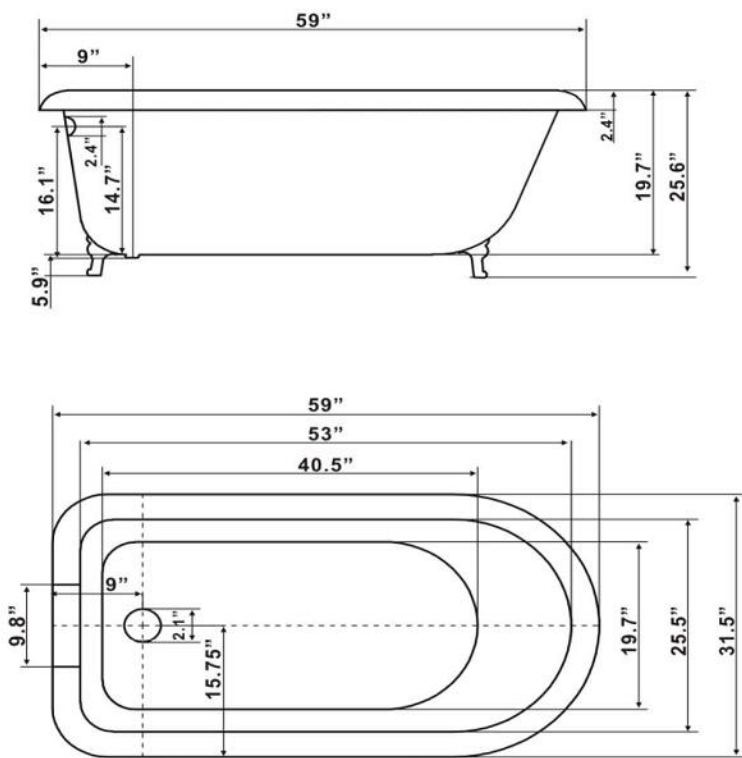


CFLC59 Elora Classic Style Clawfoot Bathtub

Elora
TUB & FAUCET



No faucet
holes

Deck mount
faucet holes
available

Meets or exceeds ANSI Z124.1.2-2005; CSA B45.0-02 & CSA B45.5-02

Weights

Weight empty	139 lbs
Weight filled to overflow	473 lbs
Gallons to overflow	49

General

- Reinforced extra thick floor
- Slip resistant floor
- High gloss interior and exterior
- Integrated aluminum heat barrier
- Minimum tub thickness 3/4"

cUPC label on base of tub



MA Code Accepted
Universal Plumbing
Code Listed