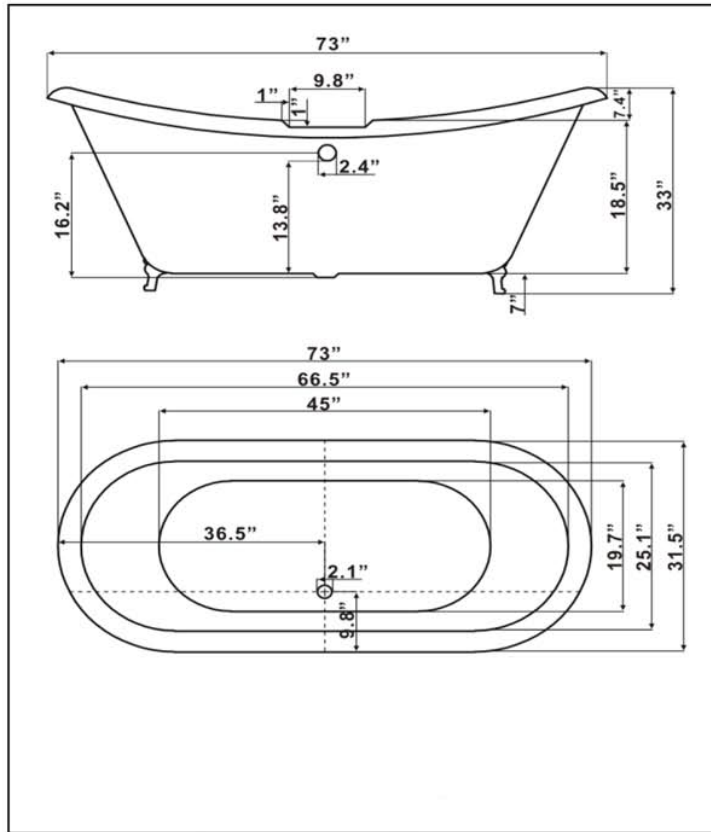


# Flora

TUB & FAUCET

## Double Ended Clawfoot Tub - CDSC73



For faucet rough-in, please view the specification sheet for the faucet purchased.

Meets or Exceeds ANSI Z124.1.2-2005; CSA B45.0-02 & CSA B45.5-02

### Weights

Weight empty	161 lbs
Weight filled to overflow	746 lbs
Gallons to overflow	73

### General

Reinforced extra thick floor  
 Slip resistant floor  
 High gloss interior and exterior  
 Integrated aluminum heat barrier  
 Minimum tub thickness 3/4"

cUPC label on base of tub



MA Code Accepted  
 Universal Plumbing  
 Code Listed