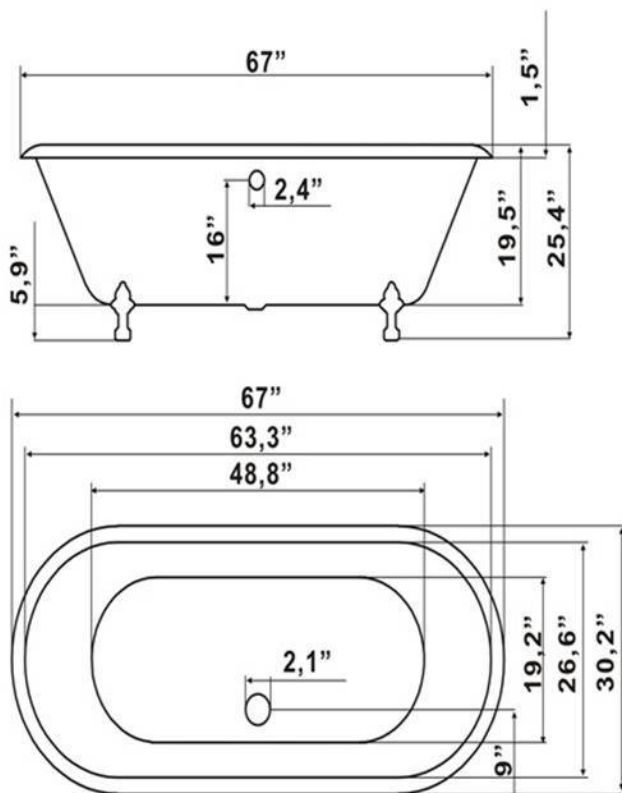


RDBL67 Elora Double Ended Clawfoot Bathtub

Flora
TUB & FAUCET



Requires a
free standing
or wall mount
faucet

Meets or Exceeds ANSI Z124.1.2-2005; CSA B45.0-02 & CSA B45.5-02

Weights

Weight empty	146 lbs
Weight filled to overflow	761 lbs
Gallons to overflow	74

General

Reinforced extra thick floor
Slip resistant floor
High gloss interior and exterior
Integrated aluminum heat barrier

cUPC label on base of tub



MA Code Accepted
Universal Plumbing
Code Listed